

## Fix Z Stud Anchors for Cracked and Non-cracked Concrete

### Fix Z Stud Anchors for cracked concrete

A true to size, torque controlled expansion anchor with "pull down" capabilities for permanent anchoring into cracked and non-cracked concrete.



### Approvals

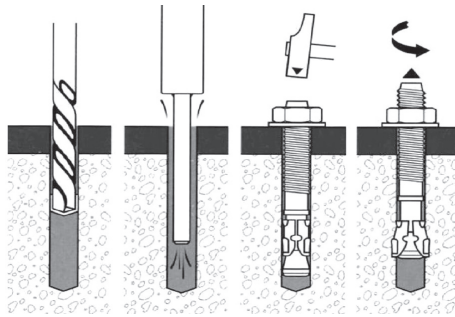


### Specification

• Fix Z is a specialized, heavy duty, torque setting expansion anchor for cracked concrete, especially for fixtures located at tension zones.

### Substrates

• Concrete (cracked and non-cracked) • Solid block • Stone



### Product Advantages

- 3 legs clip for a better expansion
- 6 lugs for a better fixing in concrete
- High quality stainless steel A4 expansion clips
- Improved efficiency with fewer hammer blows and turns for installation
- "Pull down" capabilities for secure fixings
- Fire resistance tested

### Applications

- Structural beams and columns
- Load bearing zones
- Cable trays
- Overhead piping
- Air condition ducts
- Securing of machines and equipment
- Tie back brackets for facade
- Marble and facade fixings

### Installation

1. Drill the correct diameter hole and depth.
2. Remove debris from hole by blowing out with compressed air or hand held blow out pump.
3. Install the anchor in the hole with a hammer until washer seats on fixture.
4. Tighten bolt with a torque wrench to recommended assembly torque.

### Fix Z - Stainless Steel A4 - Recommended Working Loads in 40N/mm<sup>2</sup> non-cracked Concrete

Thread Ø	Embedment Depth (mm)	Torque (Nm)	Shear Load (kN)*	Tensile Load (kN)*
M8	48	20	3.8	5.1
M10	58	35	6.0	6.8
M12	70	50	8.7	6.8
M16	86	100	15.2	12.7

\* Safety factor for all loads = 3

\* This table does not consider edge distance and anchor spacing effects. Please refer to Ramset Design Guide for more information.

### Fix Z Stud Anchors - Stainless Steel A4



Part No.	Description	Thread Ø	Max Fixture Thickness (mm)*	Fixture Hole Ø (mm)	Overall Anchor Length (mm)	Drilled Hole Ø (mm)	Min Hole Depth (mm)*	Order Qty
050441	M8x55/5 A4	M8	5	9	55	8	52	100
054610	M8x70/20 A4	M8	20	9	70	8	52	100
055343	M8x90/40 A4	M8	40	9	90	8	52	100
050367	M8x130/80 A4	M8	80	9	130	8	52	50
050466	M10x65/5 A4	M10	5	12	65	10	62	50
054630	M10x75/15 A4	M10	15	12	75	10	62	50
054640	M10x95/35 A4	M10	35	12	95	10	62	50
050442	M10x120/60 A4	M10	60	12	120	10	62	25
055344	M12x80/5 A4	M12	5	14	80	12	75	25
055345	M12x100/25 A4	M12	25	14	100	12	75	25
055394	M12x115/40 A4	M12	40	14	115	12	75	25
054680	M12x140/65 A4	M12	65	14	140	12	75	25
050443	M16x125/30 A4	M16	30	18	125	16	95	25
054700	M16x150/55 A4	M16	55	18	150	16	95	10
050444	M16x170/75 A4	M16	75	18	170	16	95	10

\* Data based on minimum anchor depth

Note: Fix Z Stud Anchors - Zinc Plated is available on request. Please refer details on Ramset Product Guide.